

DRAWING NUMBER
960SB

ISSUE
8a

BSS
LINKSIDE HOUSE
SUMMIT ROAD
CRANBORNE IND EST
POTTERS BAR
HERTS
EN6 3JB
Tel 01707 660667
Fax 01707 660755

TITLE: GRAPHIC EQUALISER MAIN BD

FILENAME: 960SB-8a.SCH

DRAWN BY: PHOTOCAD/PSB

DATE: 18-11-97

CHECKED:

LAYERS: SHEET 1 of 5

ISSUE DETAILS
ISSUE 7 (FROM 2)
RAISED TO ISSUE 7, TO MATCH PCB ISSUE
NO CIRCUIT CHANGE
ISSUE 8 ECN5688
ISSUE 8a ECN0016 18-11-97

DIMENSIONS:

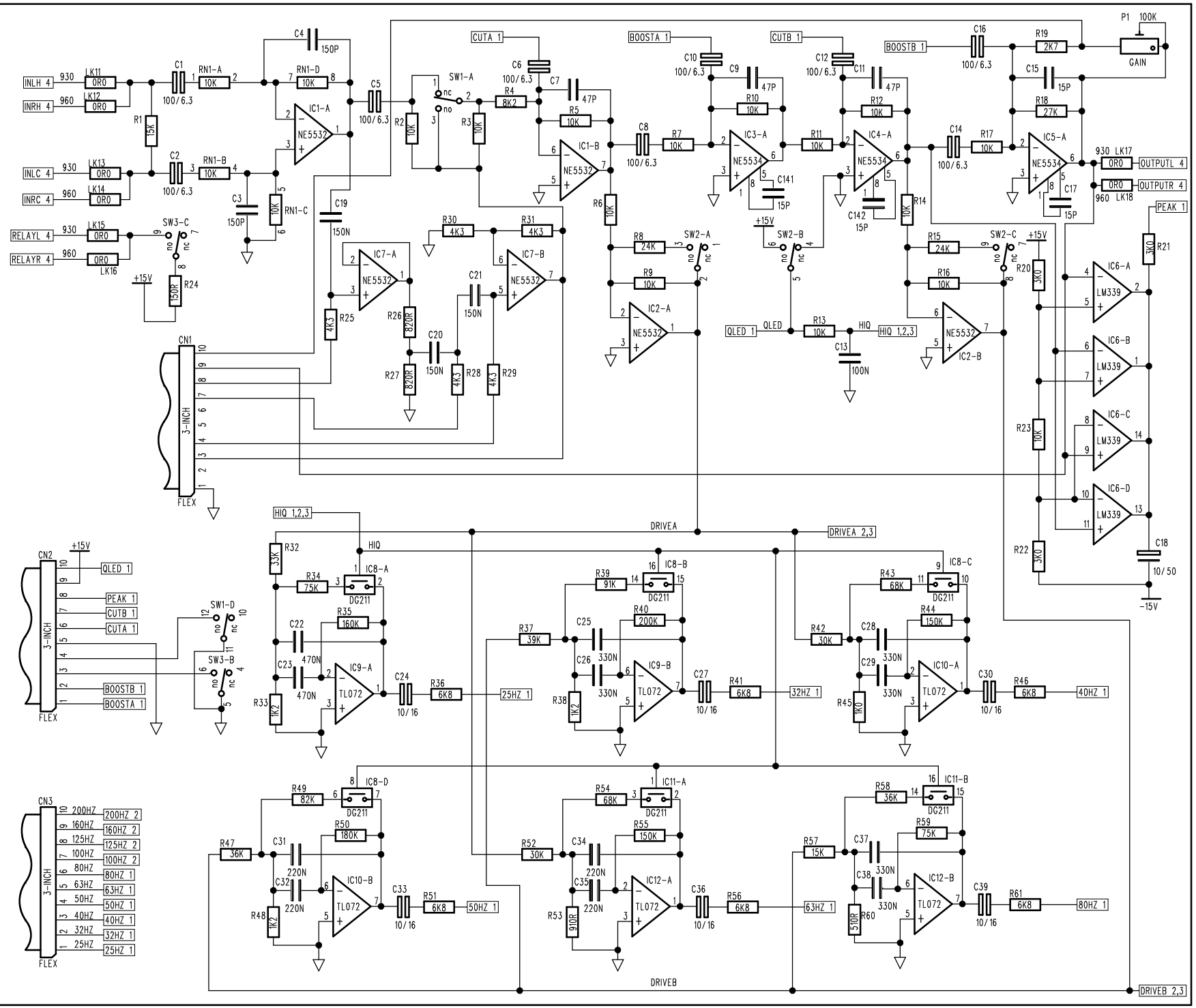
MATERIALS:

FINISH:

ARTWORK:

NOTES

THIS DRAWING IS THE COPYRIGHT OF BSS Audio Ltd. ALL REPRODUCTION AND COPYING, OTHER THAN THAT FOR LICENCED MANUFACTURES OWN INTERNAL USE, OR DISCLOSURE OF PART OR WHOLE TO A THIRD PARTY WITHOUT PRIOR WRITTEN AUTHORISATION IS IN VIOLATION OF THE COPYRIGHT.
© BSS Audio Ltd 1998



DRAWING NUMBER
960SB

ISSUE
8a

BSS
LINKSIDE HOUSE
SUMMIT ROAD
CRANBORNE IND EST
POTTERS BAR
HERTS
EN6 3JB
Tel 01707 660667
Fax 01707 660755

TITLE: GRAPHIC EQUALISER MAIN BD
FILENAME: 960SB-8a.SCH
DRAWN BY: PHOTOCAD/PSB
DATE: 18-11-97
CHECKED:
LAYERS: SHEET 2 of 5

ISSUE DETAILS

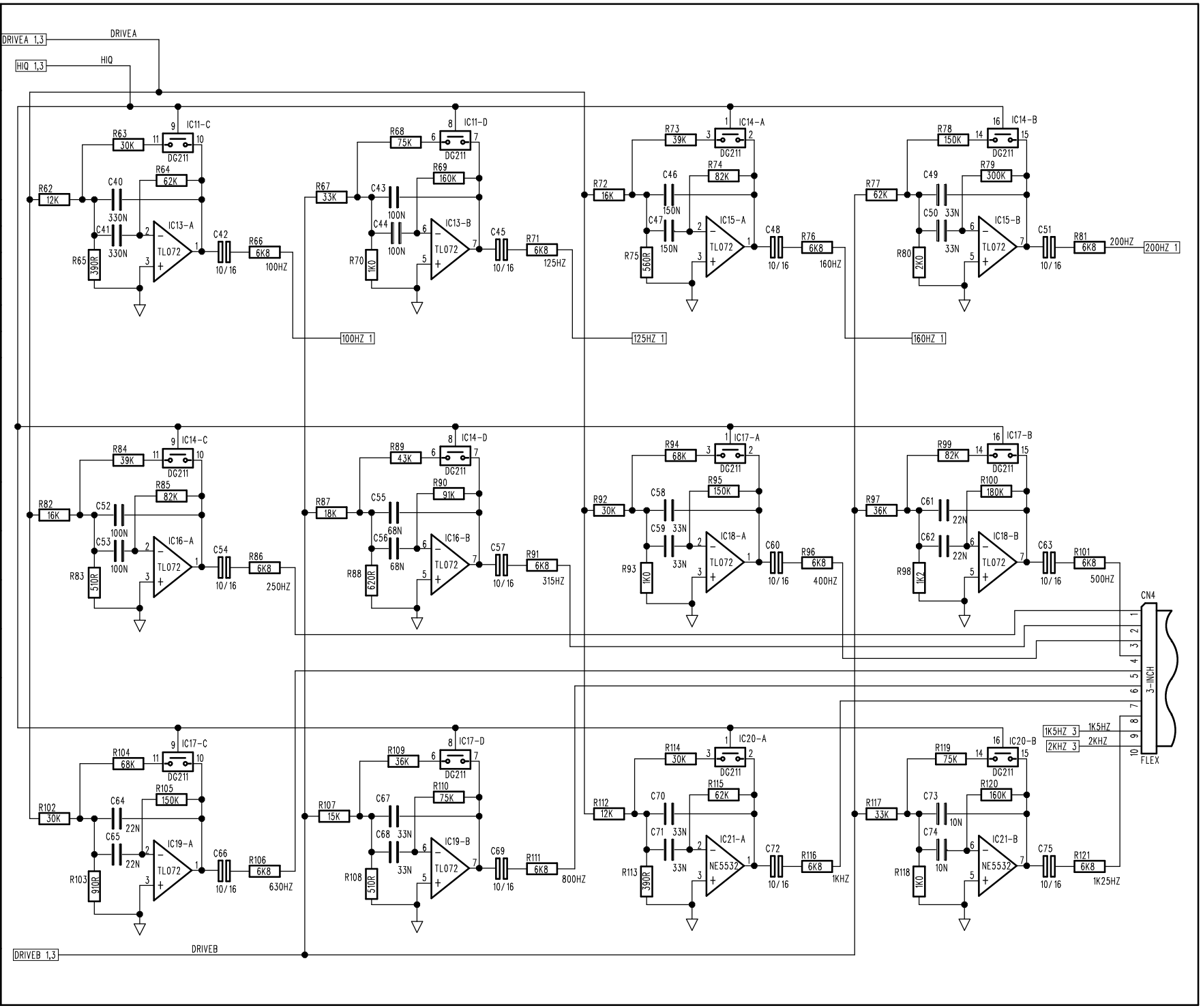
DIMENSIONS:

MATERIALS:

FINISH:

ARTWORK:

NOTES



THIS DRAWING IS THE COPYRIGHT OF BSS Audio Ltd. ALL REPRODUCTION AND COPYING, OTHER THAN THAT FOR LICENCED MANUFACTURERS OWN INTERNAL USE, OR DISCLOSURE OF PART OR WHOLE TO A THIRD PARTY WITHOUT PRIOR WRITTEN AUTHORISATION IS IN VIOLATION OF THE COPYRIGHT.
© BSS Audio Ltd 1994

DRAWING NUMBER
960SB

ISSUE
8a

BSS
LINKSIDE HOUSE
SUMMIT ROAD
CRANBORNE IND EST
POTTERS BAR
HERTS
EN6 3JB
Tel 01707 660667
Fax 01707 660755

TITLE: GRAPHIC EQUALISER MAIN BD

FILENAME: 960SB-8a.SCH

DRAWN BY: PHOTOCAD/PSB

DATE: 18-11-97

CHECKED:

LAYERS: SHEET 3 of 5

ISSUE DETAILS

DIMENSIONS:

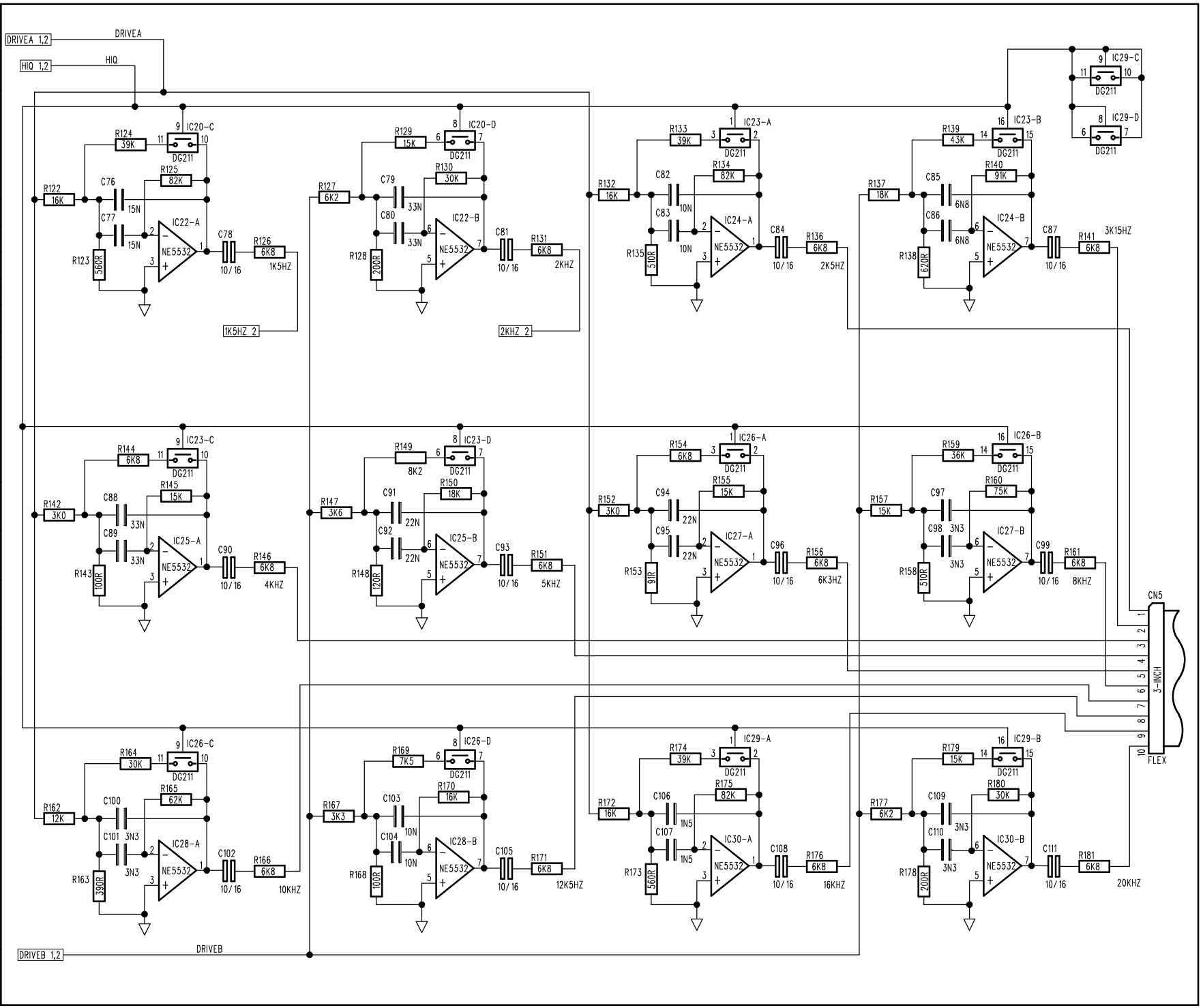
MATERIALS:

FINISH:

ARTWORK:

NOTES

THIS DRAWING IS THE COPYRIGHT OF BSS Audio Ltd. ALL REPRODUCTION AND COPYING, OTHER THAN THAT FOR LICENCED MANUFACTURERS OWN INTERNAL USE, OR DISCLOSURE OF PART OR WHOLE TO A THIRD PARTY WITHOUT PRIOR WRITTEN AUTHORISATION IS IN VIOLATION OF THE COPYRIGHT.
© BSS Audio Ltd 1994



DRAWING NUMBER
960SB

ISSUE
8a

BSS
LINKSIDE HOUSE
SUMMIT ROAD
CRANBORNE IND EST
POTTERS BAR
HERTS
EN6 3JB
Tel 01707 660667
Fax 01707 660755

TITLE: GRAPHIC EQUALISER MAIN BD

FILENAME: 960SB-8a.SCH

DRAWN BY: PHOTOCAD/PSB

DATE: 18-11-97

CHECKED:

LAYERS: SHEET 4 of 5

ISSUE DETAILS

DIMENSIONS:

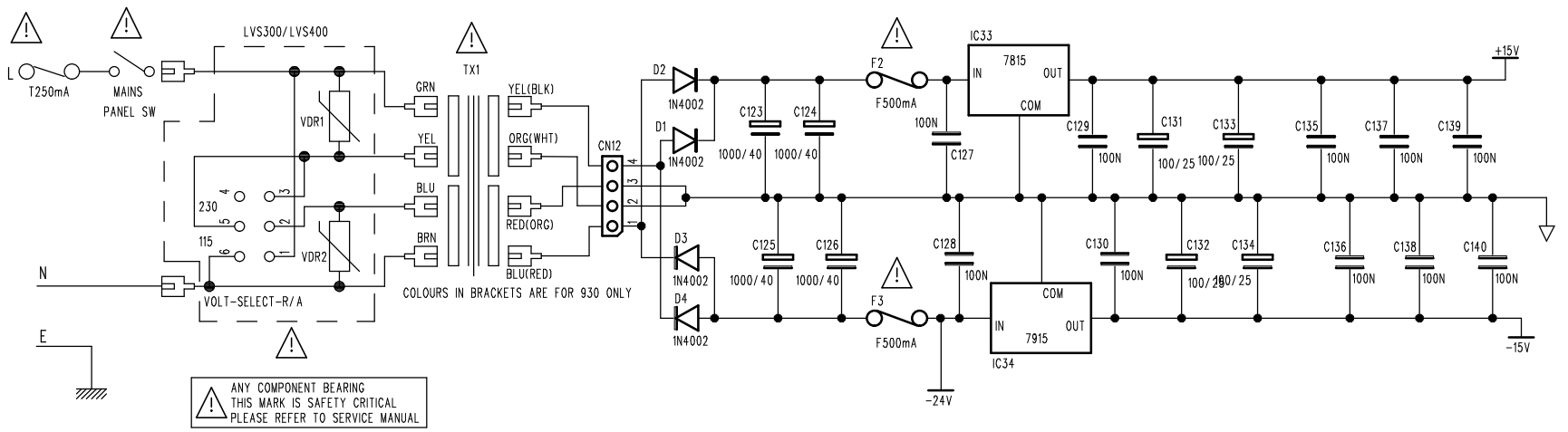
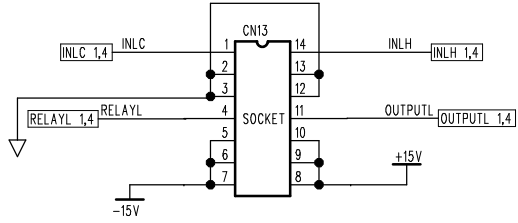
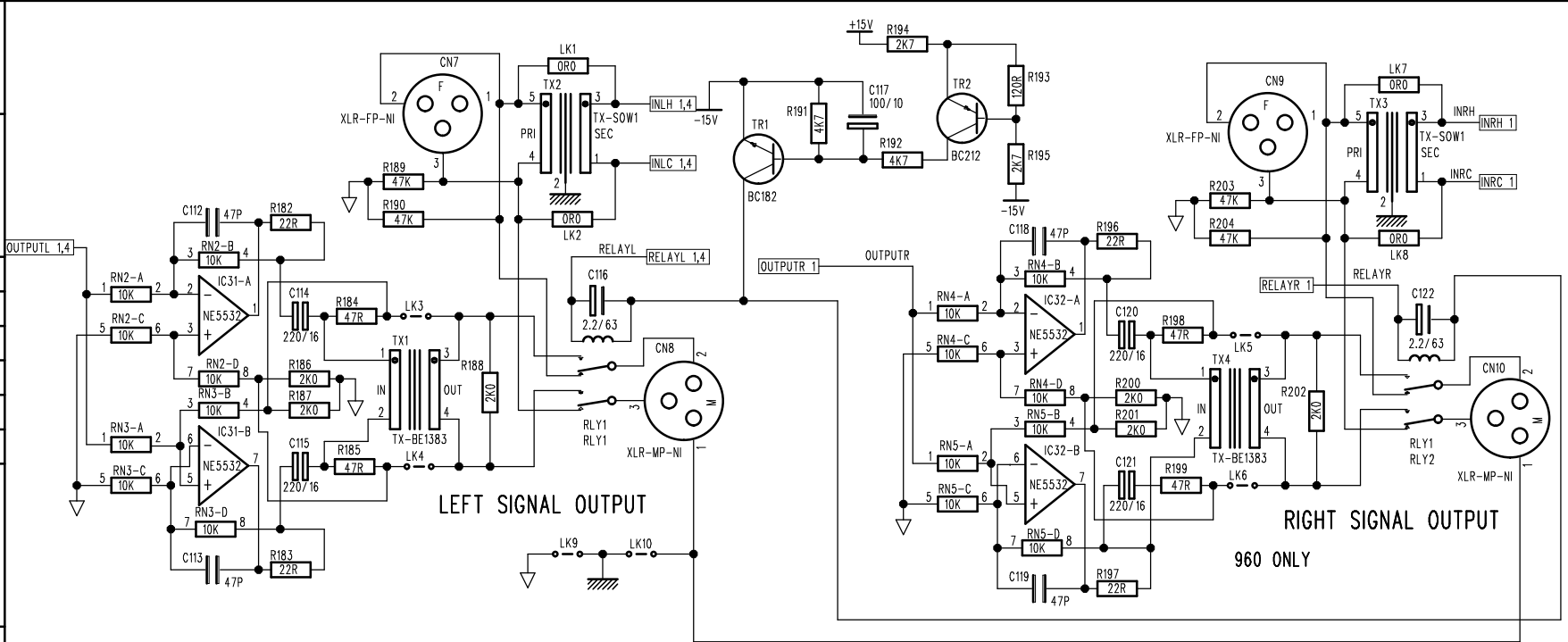
MATERIALS:

FINISH:

ARTWORK:

NOTES

THIS DRAWING IS THE COPYRIGHT OF BSS Audio Ltd. ALL REPRODUCTION AND COPYING, OTHER THAN THAT FOR LICENCED MANUFACTURES OWN INTERNAL USE, OR DISCLOSURE OF PART OR WHOLE TO A THIRD PARTY WITHOUT PRIOR WRITTEN AUTHORISATION IS IN VIOLATION OF THE COPYRIGHT.
© BSS Audio Ltd 1994



! ANY COMPONENT BEARING THIS MARK IS SAFETY CRITICAL PLEASE REFER TO SERVICE MANUAL

DRAWING NUMBER **960SB** ISSUE **8a**



LINKSIDE HOUSE
SUMMIT ROAD
CRANBORNE IND EST
POTTERS BAR
HERTS
EN6 3JB
Tel 01707 660667
Fax 01707 660755

TITLE: GRAPHIC EQUALISER MAIN BD

FILENAME: 960SB-8a.SCH

DRAWN BY: PHOTOCAD/PSB

DATE: 18-11-97

CHECKED:

LAYERS: SHEET 5 of 5

ISSUE DETAILS

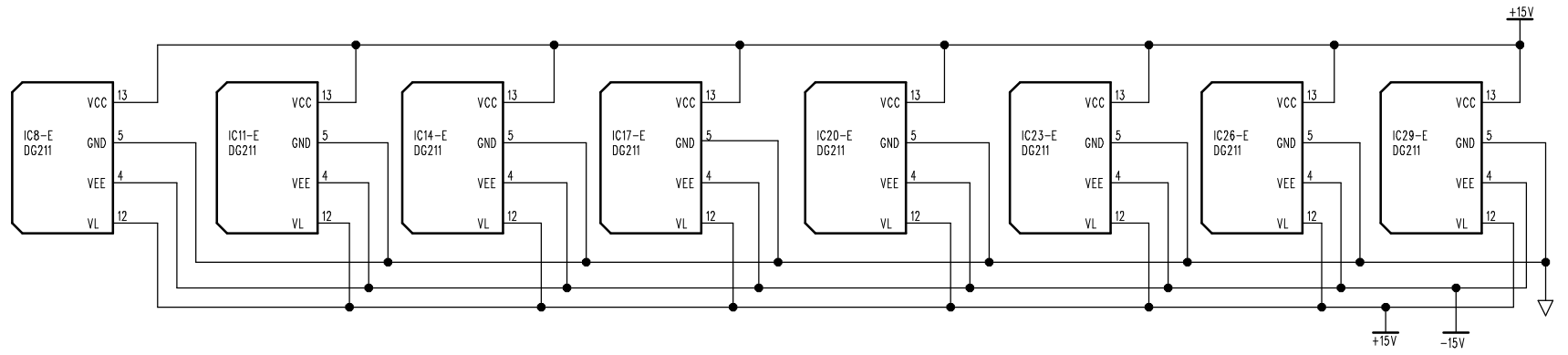
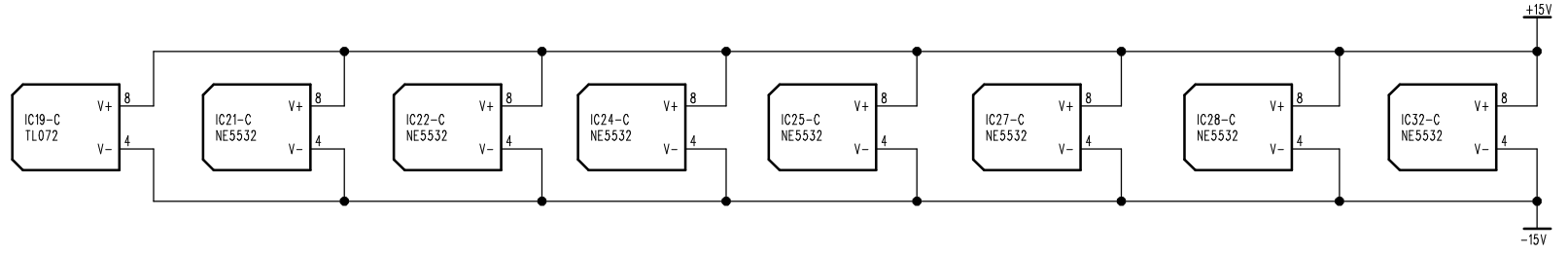
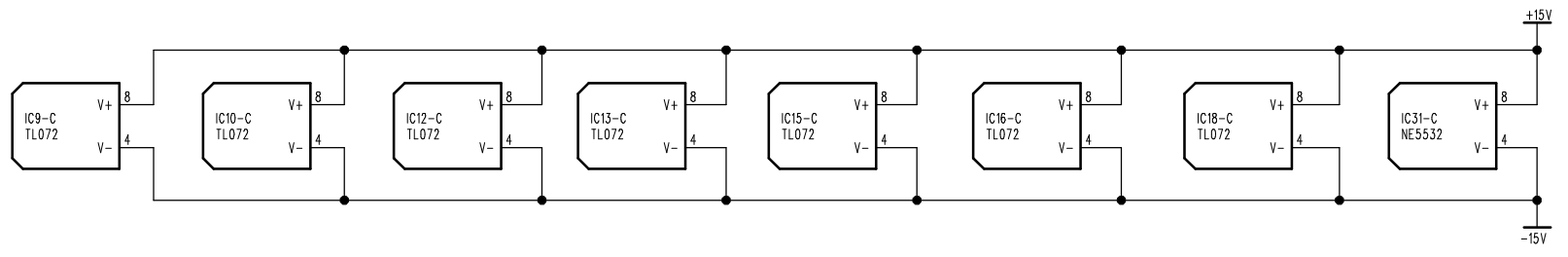
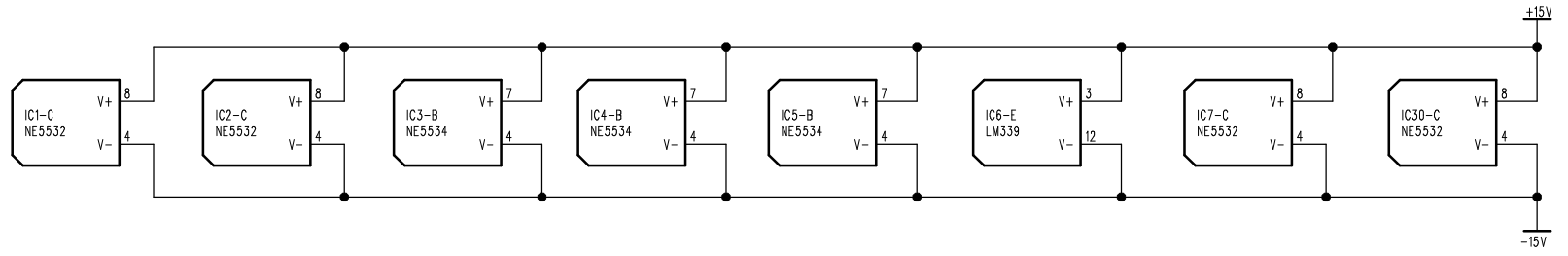
DIMENSIONS:

MATERIALS:

FINISH:

ARTWORK:

NOTES



THIS DRAWING IS THE COPYRIGHT OF BSS Audio Ltd. ALL REPRODUCTION AND COPYING, OTHER THAN THAT FOR LICENCED MANUFACTURES OWN INTERNAL USE, OR DISCLOSURE OF PART OR WHOLE TO A THIRD PARTY WITHOUT PRIOR WRITTEN AUTHORISATION IS IN VIOLATION OF THE COPYRIGHT. © BSS Audio Ltd 1994